

ANSELMi - AN 108 3D SC45 Kit**Notes**

The closing power mentioned above refers to the use of one self-closing hinge per door leaf with height/width ratio of 0.9 x 2.1; e.g. 900 x 2100 mm (35.433 x 82.677").

The self-closing hinge has to be used only in combination with the given hinges and has to be installed at half the height of the door leaf, approximately at the same height of the lock.

The installation on doors subject to specific norms has to be verified by the customer according to the national law.

Finishes shown on the model version AN 160 3D. Deviations possible with this model version.

Alternatively, the routing can be carried out with a cutter diameter of 1/2" and a collar ring diameter of 1" for imperial templates.

Combinations

AN 140 3D FZ

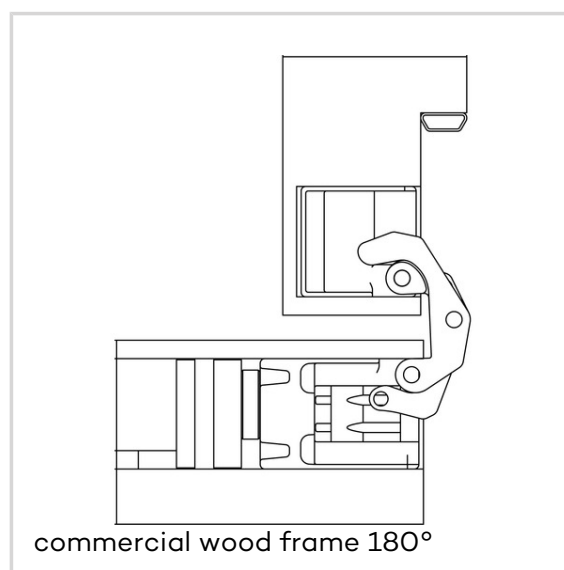
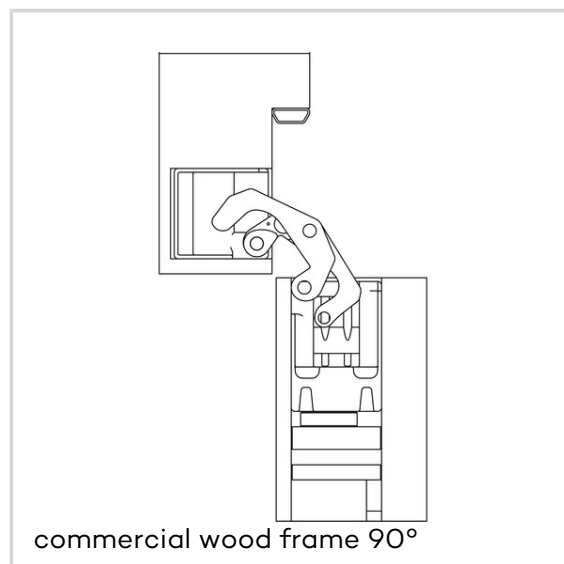
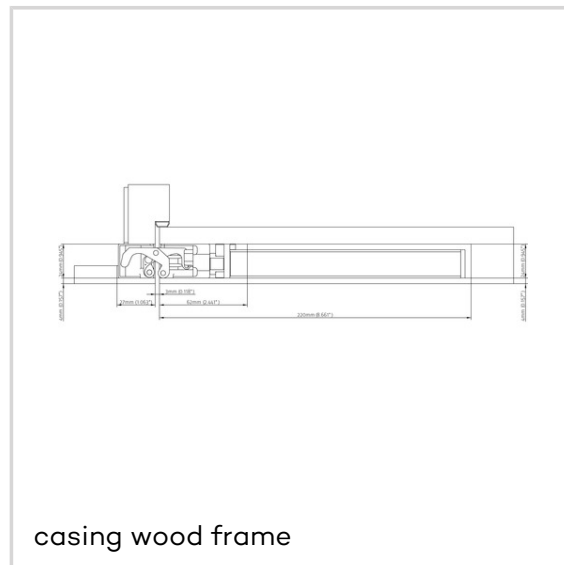
Sets

AN 108 3D SC45 With integrated closing and damping function for residential doors up to 45 kg (99 lbs.)

AN 160 3D For residential interior doors up to 60 kg (132 lbs.)

Item versions

Finish	Rustic Umber (AN 012)
VPE	pack of 1
DIN	non-handed
ITEM NO.	KAN1603D000175
EAN	



ANSELMi - AN 108 3D SC45 Kit

Finish	Black (AN 018)
VPE	pack of 1
DIN	non-handed
ITEM NO.	KAN1603D000172
EAN	
Finish	Aluminum Chrome (AN 036)
VPE	pack of 1
DIN	non-handed
ITEM NO.	KAN1603D000171
EAN	
Finish	Satin Nickel (AN 044)
VPE	pack of 1
DIN	non-handed
ITEM NO.	KAN1603D000173
EAN	
Finish	RAL 9016 Traffic White (AN 049)
VPE	pack of 1
DIN	non-handed
ITEM NO.	KAN1603D000174
EAN	